

CERTIFICATE OF COMPLIANCE

Certificate Number 20150206-E105227
Report Reference E105227-19910807
Issue Date 2015-FEBRUARY-06

Issued to: DONG IL TECHNOLOGY LTD
28 NAMYANG-RO930(GUBAEKSAMSIP)BEON-GIL
HWASEONG-SI GYEONGGI-DO 445-040 KOREA

**This is to certify that
representative samples of**

COMPONENT - ELECTROMAGNETIC INTERFERENCE
FILTERS
See Addendum Page

Have been investigated by UL in accordance with the
Standard(s) indicated on this Certificate.

Standard(s) for Safety: UL 1283 : Standard for Electromagnetic Interference Filters
Additional Information: See the UL Online Certifications Directory at
www.ul.com/database for additional information

Only those products bearing the UL Certification Mark should be considered as being covered by UL's
Certification and Follow-Up Service.

Recognized components are incomplete in certain constructional features or restricted in performance
capabilities and are intended for use as components of complete equipment submitted for investigation rather
than for direct separate installation in the field. The final acceptance of the component is dependent upon its
installation and use in complete equipment submitted to UL LLC.

Look for the UL Certification Mark on the product.



Bruce Mahrenholz, Assistant Chief Engineer, Global Inspection and Field Services

UL LLC

Any information and documentation involving UL Mark services are provided on behalf of UL LLC (UL) or any authorized licensee of UL. For questions, please
contact a local UL Customer Service Representative at www.ul.com/contactus



CERTIFICATE OF COMPLIANCE

Certificate Number 20150206-E105227
Report Reference E105227-19910807
Issue Date 2015-FEBRUARY-06

This is to certify that representative samples of the product as specified on this certificate were tested according to the current UL requirements.

USR, Component - Appliance Filters, Model No. ID followed by, 01, 02, 03, L03, 06, 08, 10, 15, N01, N02, N03, N06, N08, N10 or N15; followed by 2, 3, 4, 6, A, or B; followed by 0, 1, 2, 3, C, D, E, F, G, J, K, M, R, U, V, X, or Y; followed by S, or H.

Model IH followed by, 01, 02, 03, L03, 06, 08, 10, 15, N01, N02, N03, N06, N08, N10 or N15; followed by 2, 3, 4, 6, A, or B; followed by 0, 1, 2, 3, C, D, E, F, G, J, K, M, R, U, V, X, or Y; followed by S, or H.

Model IF followed by 01, 02, 03, L03, 06, N01, N02, N03, N06; followed by 2, 3, 4, 6, A, or B; followed by 0, 1, 2, 3, C, D, E, F, G, J, K, M, R, U, V, X, Y; followed by W.

Model IK followed by 01, 02, 03, L03, 06, N01, N02, N03, N06; followed by 2, 3, 4, 6, A, or B; followed by 0, 1, 2, 3, C, D, E, F, G, J, K, M, R, U, V, X, Y; followed by W



Bruce Mahrenholz, Assistant Chief Engineer, Global Inspection and Field Services

UL LLC

Any information and documentation involving UL Mark services are provided on behalf of UL LLC (UL) or any authorized licensee of UL. For questions, please contact a local UL Customer Service Representative at www.ul.com/contactus





Certificate of Compliance

Certificate: 1114377 (LR65729)

Master Contract: 176007

Project: 70021296

Date Issued: January 30, 2015

Issued to: DONG IL TECHNOLOGY LTD.

28 Namyang-ro
930beon-gil
Hwaseong-si
Gyeonggi-do, 445-040
South Korea
Attention: Sang-Guk Kim

The products listed below are eligible to bear the CSA Mark shown



Dennis Li

Issued by: Dennis Li

PRODUCTS

CLASS 2221 02 - AUDIO AND VIDEO EQUIPMENT - Electromagnetic Interference (EMI) Filters

Appliance EMI Filters, 250Vac, 50/60Hz, ID Series, model designation is formatted as follows: ID-WXY-Z or ID-WXYZ, rated 1A, 2A, 3A, 6A, 10A and 15A. Ambient: -25°C to 40°C for models rated above 3A, -25°C to 55°C for models rated up to 3A.

Model Suffixes Explanation:

W = Current ratings: 1A, 2A, 3A, 6A, 10A, 15A;

X = X-Capacitor Value; 2,4,A,B

Y = Y-Capacitor Value; 0, C, D, G, F, E, 1, 2, 3 or 0, J, K, M, R, U, V, X, Y

Z = Terminals, S/H. H indicates faston tab No 250, S indicates soldering tab.

ID -(01, 02, 03, 06, 10, 15, L03, N01, N02, N03, N06, N08, N10, N15) -(2, 4, A, B) - (0, C, D, G, F, E, 1, 2, 3 or 0, J, K, M, R, U, V, X, Y) - (S, H) or

ID - (01, 02, 03, 06, 10, 15, L03, N01, N02, N03, N06, N08, N10, N15) - (2, 4, A, B) - (0, C, D, G, F, E, 1, 2, 3 or 0, J, K, M, R, U, V, X, Y) (S, H)



Certificate: 1114377 (LR65729)

Master Contract: 176007

Project: 70021296

Date Issued: January 30, 2015

Note:

1. Certified as a component of certified equipment where the suitability of the combination is to be determined by CSA International.

APPLICABLE REQUIREMENTS

CSA Std C22.2 No. 8-13 - Electromagnetic Interference (EMI Filters)



Supplement to Certificate of Compliance

Certificate: 1114377

Master Contract: 176007

The products listed, including the latest revision described below, are eligible to be marked in accordance with the referenced Certificate.

Product Certification History

Project	Date	Description
70021296	Jan 30, 2015	Update report to add alternate Insulation sheet locates between Y-capacitors and the inductor coil, upgrade to 5th Edition of CSA No.8, and make editorial corrections.
1806964	Jul 14, 2006	Update Report 1114377 to include alternate model designation, bleeder resistors, capacitors and cover base materials
1626947	Jan 18, 2005	Update Reports 1114377 to include alternate Suffixes

History

1377655 Jan. 15, 2003 Add models with alternate choke coils.

1264382 Jan. 29, 2002 Add models with alternate capacitors.

1246753 Nov. 7, 2001 Addition of 15A models with .15uF X-capacitor and addition of silicon grease, adiabatic film and heat shrink tube.

1114377 Oct. 5, 2000 Add "ID" Models, rated 15A.

30 Nov. 19, 1996 EMI Filters, Series ID, Models ID-LO322S, ID-L0322H, ID-LO323S, ID-LO323H, ID-LO342S, ID-LO342H, ID-LO343S, ID-LO343H, ID-LO3A2S, ID-LO3A2H, ID-LO3A3S, ID-LO3A3H. No testing was considered necessary.

27 Sep. 21, 1995 New Models: ID-01A2S, ID-01A2H, ID-01A3S, ID-01A3H, ID-02A2S, ID-02A2H, ID-02A3S, ID-02A3H, ID-03A2S, ID-03A2H, ID-03A3S, ID-03A3H, ID-06A2S, ID-06A2H, ID-06A3S, ID-06A3H (No tests required).

접수번호 : 18-072433-01-1
(Receipt No.)



안전인증서

Safety Certificate

안전인증번호 : SH03003-5001J
(Certificate No.)

제조업자/수입업자명 : (주)동일기연
(Manufacturer/importer)

주소 : 경기도 화성시 북양동 215-6
(Address)

제품명 : 전파장해억제용전원필터
(Product) (Power filter for inhibiting radio interference)

기본모델명 : ID
(Basic Model)

파생모델명 : 첨부 2 참조
(Series Model)

정격/안전기준상의 모델구분 : 250 VAC, 50/60Hz
(Rating)

시험기준 : KC60939-1(2015-09), KC60939-2(2015-09)
(Standard)

본 인증서는 제조국명 : 대한민국
제조업자명 : (주)동일기연
제조공장의 주소 : 경기도 화성시 북양동 215-6

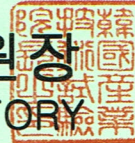
의 제품에만 해당함

「전기용품 및 생활용품 안전관리법 시행규칙」 제9조제2항, 제4항, 제10조제2항 또는 제15조제2항에 따라 안전인증서를 발급합니다.

We Issue This Safety Certificate for the above appliances in accordance with the Article 9(2),9(4),10(2) or 15(2) of the Enforcement Rule of the Electrical Appliances and Consumer Products Safety Control Act.

2019 년 01 월 07 일
Year month day

한국산업기술시험원장
KOREA TESTING LABORATORY



* 이 인증서는 「전기용품 및 생활용품 안전관리법 시행규칙」에 따른 제품의 안전성 확인에 한정된 것이며, 그 밖의 다른 법률이 적용되는 제품의 경우에는 해당 법률에 따라 추가로 인증·허가 등을 받아야 합니다.

첨부서류	1. 전기용품의 안전관리부품 및 재질목록(List of Critical Components) 2. 기본모델·파생모델의 내용 (Descriptions of the basic and series model) 3. 안전인증의 변경 현황 (Revisions Status)
------	---

□ 첨부 1 : 전기용품의 안전관리부품 및 재질목록
List of Critical Components

부품명 (회로기호) Component(Part no.)	제조사(상표명) Manufacturer(Brand)	모델명(형식) Model(Type)	정격 또는 특성 Rating or Characteristics	인증마크 Tested by
X-Capacitor	BC Components NV 코웰패션 주식회사	2222 228 20154 PCX2 339Type	2222 228 20154 PCX2 339Type	VDE
	Sungho electronics	CMPP series	0.01-0.33 μ F	KC
Alt. X-Capacitor	코웰패션 주식회사	PCX2 335M	0.022 μ F, 0.033 μ F, 0.047 μ F, 0.068 μ F, 0.1 μ F, 0.15 μ F, 0.22 μ F, 0.33 μ F, 275 VAC	KC
Alt. X-Capacitor	코웰패션 주식회사	PCX2 335	Same as above	KC
Alt. X-Capacitor	코웰패션 주식회사	PCX2 337	Same as above	KC
Alt. X-Capacitor	Sunil Electronics Ind. Co., Ltd	435D(0.1 μ F)	0.022 μ F, 0.033 μ F, 0.047 μ F, 0.068 μ F, 0.1 μ F, 275 VAC	KC
		435D(0.33 μ F)	0.15 μ F, 0.22 μ F, 0.33 μ F, 275 VAC	
Alt. X-Capacitor	Sunil Electronics Ind. Co., Ltd	436D(0.1 μ F)	0.022 μ F, 0.033 μ F, 0.047 μ F, 0.068 μ F, 0.1 μ F, 275 VAC	KC
		436D(0.33 μ F)	0.15 μ F, 0.22 μ F, 0.33 μ F, 275 VAC	
Y-Capacitor	Murata Mastushita Dongil Electronics Co.,Ltd	KH Type TS Type DS Type	KH Type TS Type DS Type	VDE
	Murata Dongil Electronics Co.,Ltd	KX DA	330~3300pF 330~3300pF	KC KC
Alt. Y-Capacitor	Murata Electronics (Thailand) Ltd.	KY Y2 250V	330 pF, 470 pF, 1000 pF, 1500 pF, 2200 pF, 3300 pF	KC
Inlet socket	동일기연	DAC-3, DAC-4, DAC-5, DAC-8, DAC-25,DAC-28	AC250V, 10A	KC
Alt. Inlet socket	Weihai Dong il Technology Co.,Ltd	DAC-25B	AC250 V, 10 A	KC
Alt. Inlet socket	Weihai Dong il Technology Co.,Ltd	DAC-28D	AC250 V, 10 A	KC
Alt. Inlet socket	Weihai Dong il Technology Co.,Ltd	DAC-28E	AC250 V, 10 A	KC
Alt. Inlet socket	Weihai Dong il Technology Co.,Ltd	DAC-28H	AC250 V, 10 A	KC
전선	대영배선 LS 전선	염화비닐절연 내열비닐전선	450/750V. 450/750V	KS KS
Earth Coil	(주)동일기연	-	Inductance value: 0uH~150uH	-

부품명 (회로기호) Component(Part no.)	제조사(상표명) Manufacturer(Brand)	모델명(형식) Model(Type)	정격 또는 특성 Rating or Characteristics	인증마크 Tested by
Quick crimp terminal	(주)동일기연	-	Copper 64%~68% alloy (Ni or Tin plating)	-

유의사항 (Attention) :

1. 안전관리부품은 전기적인 안전에 직접적인 영향을 주는 부품으로서 안전인증기관이 정기공장검사 시 확인 관리 하는 사항입니다. 따라서 상기목록에 기재된 사항을 변경하거나 또는 복수등재를 원하시는 경우는 안전인증기관에 인증변경신청을 하여야 합니다.

As the "Critical components" are parts in directly related with safety, these components shall be checked during a factory inspection by the certification body. In case of applying multiful listing or changing the items above, the certification revision shall be applied.

2. 인증변경신청 없이 임의로 변경하는 경우는, 전기용품 및 생활용품 안전관리법 시행규칙 제 21 조제 1 항 또는 제 38 조제 1 항 규정에 의한 안전인증 취소 혹은 안전확인신고 효력상실 사유가 됨을 유의하시기 바랍니다.

The Safety Certification will be cancelled under the Article 21(1), 38(1) of the Enforcement Rule of the Electrical appliances and Consumer Products Safety Control Act if the contents of the Certification is altered without our authorization.

□ 첨부 2 : 기본모델 · 파생모델의 내용
Description of the basic and series model

파생모델명 Derivative model	기본모델과의 차이점 Differences between the basic and derivative model(s)
IG	Vertical and Screw mounting type
	Quick crimp terminal 추가
IX	Vertical and Screw mounting type with ground inductor
	Quick crimp terminal 추가
IH	Horizontal and Snap-in type
IK	Small Horizontal and Smap-in type
IF	Small Horizontal and Screw mounting type
IM	Vertical and PC-Board mounting type
IL	Vertical and Screw mounting
IJ	Operate on single phase, 50/60Hz, 250Vac. Rated 3A, 6A, 8A, 10A
IJ1	Same as IJ except for Y-capacitor value (1500pF)
IF2	형상변경, wire terminal
	Earth coil 추가
IF3	Wire terminal, Earth coil 추가
IF4	Wire terminal
IF5	IF3, IF4 의 Mirror 형태
IF1	Dimension 변경
IF7	Earth Coil 추가 및 Wire termination
IF8	Wire termination, IF9
IF9	Dimension 변경, Earth Coil 추가
GF1	Dimension 변경
IL2	Dimension 변경
IFA	Dimension 변경
IFZ	Dimension 및 Inductance 값 변경
GF2	Dimension 및 Inductance 값 변경
IK-0340-W	타입(Small Horizontal and Smap-in type) 및 전류값(3 A), Y 커패시터 용량(Y-capacitor 제거), 단자(PVC insulated wire) 상이

제품특기사항 및 시험조건
Remarks & Test conditions

1. 시험성적서 발행번호: 05-1920-1656 (2005.05.06.)
2. 제품특기사항
 - The subject model is Complete filter units for radio interference suppression.

□ 본 제품의 시험내용에 관하여 문의하실 사항이 있으시면 아래 연락처로 문의하시기 바랍니다.
 시험 담당자 : 인증산업본부 전기부품평가센터 이 웅 / 055-7913-422
 □ *If you have any question on product testing, please contact the person below :*
Job holder: Certification Business Division, Electrical Components Testing Center, W. LEE /+82 55-7913-422

FP511-05

□ 첨부 3 : 안전인증의 변경 현황
Revisions Status

변경발급 내용
Contents of Certificate Revisions

- 1 차 변경) 파생모델 및 부품추가 (06-1920-2830:2006. 06. 26)
 - 추가된 파생모델 : "IJ1"
 - 추가된 부품 : Y1 capacitor
Murata KX 330~3300pF, Dongil Electronics Co. Ltd. DA 330~3300pF
- 2 차 변경) 파생모델 3 종 추가 (06-1920-5237 : 2006.12.05)
 - "IF2, IF3, IF4"
- 3 차 변경) 파생모델 1 종 추가 (07-1920-4291: 2007.09.28.)
 - "IF5"
- 4 차 변경) 파생모델 사양 추가 (07-1920-4778 : 2007.11.26.)
 - IF2 : Earth coil 추가
 - IG,IX : Quick crimp terminal 추가
- 5 차 변경) 파생모델 추가 (08-1920-5121 : 2008.11.17.)
 - "IF1 : Dimension, IF7 : Earth Coil and Wire termination,
IF8 : Dimension Wire termination, IF9 : Dimension and Earth Coil "

변경발급 내용
Contents of Certificate Revisions

- 6 차 변경) 파생모델 추가 (08-1920-0120 : 2009. 02. 04.)
- “GIF1”
- 7 차 변경) 파생모델 추가 (09-1920-3532 : 2009.08.07.)
- “IL2”
- 8 차 변경) 파생모델 추가 및 안전관리부품 추가 (10-1920-5202 : 2010.10.20.)
- “IFA, IFZ, GF2”
- X-capacitor [Sungho electronics / CMPP series]
- 9 차 변경) 안전관리부품 제조사 변경, 부품 추가(17-046496-01-2 : 2017.09.12.)
- X-capacitor Pilkor 에서 코웰패션주식회사로 제조사 변경
- X-capacitor 435D(0.1 μ F), 435D(0.33 μ F) model 추가
- X-capacitor 436D Type 을 436D(0.1 μ F), 436D(0.33 μ F)로 변경
- Y-capacitor KY Y2 250V 추가
- Inlet socket DAC-25B, DAC-28D, DAC-28E, DAC-28H model 추가
- 10 차 변경) 파생모델 추가(18-072433-01-2 : 2019.01.04.)
- IK-0340-W 모델 추가

FP511-06

Zertifikat

Certificate



Zertifikat Nr. *Certificate No.*
R 02137091

Blatt *Page*
0006

Ihr Zeichen *Client Reference*
N.K.K.

Unser Zeichen *Our Reference*
ZKR1-CGL- 02168102 006

Ausstellungsdatum
28.11.2014

Date of Issue
(day/mo/yr)

Genehmigungsinhaber *License Holder*
Dong Il Technology Ltd.
28, Namyang-ro 930beon-gil,
Hwaseong, Gyeonggi-do 445-040
Rep. of Korea

Fertigungsstätte *Manufacturing Plant*
Dong Il Technology Ltd.
28, Namyang-ro 930beon-gil,
Hwaseong, Gyeonggi-do 445-040
Rep. of Korea

Prüfzeichen *Test Mark*



Type Approved
Safety
Regular Production
Surveillance

www.tuv.com
ID 2000000000

Geprüft nach *Tested acc. to*
EN 60320-1:2001+A1
EN 60939-2:2005

Zertifiziertes Produkt (Geräteidentifikation)
Certified Product (Product Identification)

Lizenzentgelte - Einheit
License Fee - Unit

EMC Supressor Filter

Change

Address of

License Holder and Factory : 215-6, Bukyang-dong
Hwaseong, Gyeonggi-do 445-040
Rep. of Korea

Test Requirement : EN 60320-1:2001

changed to : see above

Dem Zertifikat liegt unsere Prüf- und Zertifizierungsordnung zugrunde und es bestätigt die Konformität des Produktes mit den oben genannten Standards und Prüfgrundlagen. Zusätzliche Anforderungen in Ländern, in denen das Produkt in Verkehr gebracht werden soll, müssen zusätzlich betrachtet werden. Die Herstellung des zertifizierten Produktes wird überwacht.
This certificate is based on our Testing and Certification Regulation and states the conformity of the product with the standards and testing requirements as indicated above. Any additional requirements in countries where the product is going to be marketed have to be considered additionally. The manufacturing of the certified product is subject to surveillance.

TÜV Rheinland LGA Products GmbH - Tillystraße 2 - 90431 Nürnberg
Tel.: (+49/221)8 06 - 13 71 e-mail: cert-validity@de.tuv.com
Fax: (+49/221)8 06 - 39 35 http://www.tuv.com/safety

Zertifizierungsstelle



Sung-Won Hong

Dong Il Technology Ltd.
Mr. Nak-Kyun Kim, Engineer
R&D Team
28, Namyang-ro 930beon-gil,
Hwaseong, Gyeonggi-do 445-040
Rep. of Korea

Date : 28.11.2014
Our ref. : CGL ZKR1
Your ref.: N.K.K.

Ref : R TÜV-Mark Approval

Type of Equipment : EMC Supressor Filter
Model Designation : See Certificate
Certificate No. : R 02137091 0006
Report No. : 02168102 006

Dear Mr. Nak-Kyun Kim,

The above specified technical equipment has been tested and found to be in accordance with the relevant requirements.

Please find enclosed your certificate as specified above.

If cancellation of the certificate is submitted by 15 November in a given year, no fee will be charged for the following year.

We appreciate your support and would like to offer our assistance in the approval of your future products through our extensive range of technical services. Please feel free to contact us whatever your requirements may be.

With kind regards,

Certification Body


Sung Won Hong

Enclosure

Dong Il Technology Ltd.
Mr. Nak-Kyun Kim
28, Namyang-ro 930beon-gil, Hwaseong,
Gyeonggi-do 445-040 Rep. of Korea

Date : 21.01.2015
Our ref. : ZKR1-CGL
Your ref. : Nak-Kyun Kim
Engineer : Chang-Gyu Lee

Approval of Addition material for EMI Filter

Dear Mr. Nak-Kyun Kim,

We herewith notify that the products: EMC Supressor Filter
Certificate No.: R 02137091
Type designation : Iu-(v)vwx-y series

the use of additional material for your certified products as
requested in your application of 07.01.2015.

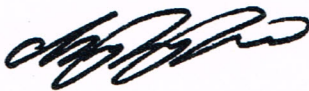
Enclosed, please find a copy of "Constructional Data Form - Filter"
and dated 09.01.2015.

Changes or addition in your exisiting certificate are not necessary.

We appreciate your valued support and would like to offer our
assistance and varied services in the approval of your products in
the future.

Please feel free to contact us whatever your requirements may be.

With kind regards,
TÜV RHEINLAND KOREA LTD.
BS Product



Chang-Gyu Lee
Project Manager

Enclosure

1/1

<http://www.kor.tuv.com>

TÜV Rheinland Korea Ltd.
Seoul Headquarter
E&C Venture Dream Tower 6
197-28, Guro-dong,
Guro-gu, Seoul
152-719, R.O.K.

Test Center
E&C Venture Dream Tower 6
197-28, Guro-dong,
Guro-gu, Seoul
152-719, R.O.K.

Daegu Office
12Fl., KTMF Bldg.
177-4, Beomeo 2-dong,
Suseong-gu, Daegu
706-715, R.O.K.

Changwon Office
7Fl., KTMF Bldg.
93-2, Jungang-dong,
Changwon, Gyeongsangnam-do
641-742, R.O.K.


Tel.: (02)860-9860
Fax: (02)860-9861
e-mail: info@kor.tuv.com

Tel.: (02)860-9860
Fax: (02)860-9863
e-mail: info10@kor.tuv.com

Tel.: (053)745-6411
Fax: (053)745-0907
e-mail: info4@kor.tuv.com

Tel.: (055)264-9234
Fax: (055)264-9240
e-mail: info@kor.tuv.com

Constructional Data Form - Filter

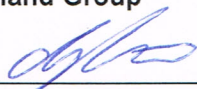
- 1.1 License holder : Dong Il Technology Ltd.
 1.2 Factory (Full address) : 28, Namyang-ro 930beon-gil, Hwaseong, Gyeonggi-do 445-040 Rep. of Korea
 1.3 Kind of equipment : EMC Suppressor Filter
 1.4 Type of designation : lu-(v)vwxy-z (See attached "Construction of Model number")
 u stands for : Shape of case for installation and installation method
 D : Horizontal and Screw mounting type
 H : Horizontal and Snap-in type
 G : Vertical and Screw mounting type
 X : Vertical and Screw mounting type with ground inductor
 F : Small Horizontal and Screw mounting type
 K : Small Horizontal and Snap-in type
 M : Vertical and PC-Board mounting type
 L : Vertical and Screw mounting type without metal case
 (v)vv stands for : Rated current
 01: 1A, 02: 2A, 03: 3A, 06: 6A, 10: 10A, L03: 3A
 N01: 01A, N02:2A, N03:3A, N06:6A, N08:8A, N10:10A
 (lu-N08/10/N10wx-y is only applied to ID/IH-type)
 x stands for : Rated capacitance of X2-capacitor
 2: 0.022μF 3: 0.033μF 4: 0.047μF A: 0.1μF, B:0.15μF
 y stands for : Rated capacitance of Y2-capacitor
 2: 2200pF 3: 3300pF C:330pF D: 470pF E: 1000pF
 z stands for : kind of terminal
 H: 250 Fasten tab, P: PCB tab, S: Soldering tab, W: PVC insulated wire
 1.5 Kind of device : EMI Filter with capacitors, choke coil.
 This filter is designed as a compact, easy-to-mount plastic or metal cased filter for power supplies, office equipment and household appliances.
 1.6 Mark of origin : 

2.1 Rated Voltage(UR)	250V AC						
2.2 Category Voltage(Uc)	250V AC						
2.3 Rated Frequency	50/60 Hz						
2.4 Operating Temperature Range	-25°C up to +85°C						
2.5 Rated Temperature	I*-01/N01/02/N02/03*-*: 55°C			I*-L03/N03/06/N06/N08/10/N10*-*: 40°C			
2.6 Rated Current(IR0)	1A, 2A, 3A, 6A, 8A, 10A						
2.7 Rated Capacitance (CR) Tolerance	0.1μF, 0.022μF, 0.033μF, 0.047μF ±20% 1000pF, 2200pF, 3300pF, 330pF, 470pF ±20%						
2.8 Rated Inductance (LR) Tolerance	6.0mH, 2.4mH, 1.2mH, 530μH, 260μH +50%, -30% 12.5mH, 5.0mH, 1.25mH, 850μH, 700μH, 300μH +50%, -30%						
2.9 Weight	IM/IL: 35g, ID/IH/IG: 45g, IF/IK/IX: 50g						
2.10 Mounting	ID/IF/IG/IL/IX : Screw mounting, IH/IK: Snap-in, IM: PCB soldering						
2.11 Termination Type	H: #250 tab, P: PCB pin, S:Soldering tab, W: PVC insulated wire						
2.12 Creepage (Pole to pole)	1)	≥3.2mm	2)		3)		4)
Creepage (Pole to earth)	1)	≥3.2mm	2)		3)		4)
Clearance (Pole to pole)	1)	≥3.2mm	2)		3)		4)
Clearance (Pole to earth)	1)	≥3.2mm	2)		3)		4)
2.13 Operation instructions	The filters are also in conformity with EN 60939-2						

TÜV Rheinland Group

09.01.2015

(Date)


 (Signature)

(Date)

(Stamp and Signature of Applicant)

Constructional Data Form - Filter

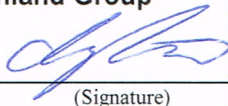
2.14 Part/Material

Description	Material Name	Manufacturer	Related certi. No.	Remarks
Inlet body/ Case Cover	PBT Resin, Glass 15% LUPOX GP2156F 94V-0	LG Chemical Ltd.	UL No. E67171	
	PBT Resin, Glass 30% SPESIN KP212G30V0, 94V-0	Kolon Industries Inc.	UL No. E88499	
	PBT Resin, Glass 30% VALOX 420SEO,94V-0	GE Plastics	UL No. E45587	
	PBT Resin SPESIN KP212V0, 94V-0	Kolon Industries Inc.	UL No. E88499	
	PBT Resin, Glass 30% VALOX 310SEO,94V-0	GE Plastics	UL No. E45587	
	Nylon-66 Resin KN3322V0, 94V-0	Kolon Industries Inc.	UL No. E88499	
Core Cover	Polypropylene CHISSO 2527, 94V-0	Chisso Corp.	UL No. E50955	
Metal Case	Ni or Tin plated Steel sheet 0.6t			
Shield Case	Ni or Tin plated Steel sheet 0.3t			
#250 Fasten Tab	Tin or Pb plated Brass 0.8t			
Soldering Tab	Tin or Pb plated Brass 0.8t			
PCB Pin	Tin or Pb plated Brass 0.8t			
PVC Insulated Wire	UL1617 TEW AWG#22	LG cable or others	UL recognized	For L.N
	UL1015 TEW AWG#18	LG cable or others	UL recognized	For GND
Coil Ass'y	Refer to attached "Exploded view of Coil ass'y"			
Metalized X2-capacitor 275Vac, 0.1/0.15/0.047/0.033/0.022uF	2222 336 2*** type	BC Components	VDE No.83618	
	PCX2 335 **** type	Pilkor Electronics	VDE No.87458	
	PCX2 335 M**** type	Pilkor Electronics	VDE No.94704	
	PCX2 337 ****type	Pilkor Electronics	VDE No.135531	
	435D	Sun II Electronics	VDE No.115361	
	436D	Sun II Electronics	VDE No.127837	
Ceramic Y2-capacitor 200Vac, 0.1/0.15/0.047/0.033/0.022uF	KC type	Murata Mfg. Co. Ltd	VDE No.87433	
	KH type	Murata Mfg. Co. Ltd	VDE No.83665	
	TS type	Matsushita Electronic	VDE No.94646	
	AA type	Samsung Electric	VDE No.55405	
	NU type	New Korea El. Co.	VDE No.62037	
Insulation film between coil and capacitor	DE type	Daemyung El. Co.	VDE No.89713	
	FR1(GG)	Sabic Innovation Plastics US LLC	E 121562	
	FR1(E1)(GG1)	Sabic Japan LLC	E 207780	
	FR700 (GG)	Sabic Innovation Plastics US LLC	E121562	
	FR700	Sabic Japan LLC	E 207780	
	FR700(GG1)	Sabic Innovation B V	E 45329	
	FR60(GG)	Sabic Innovation Plastics US LLC	E121562	
	FR60(GG1)	Sabic Japan LLC	E 207780	
FR60	Sabic Innovation B V	E 45329		
Label	Polyester Film	Kyung-in Printing	UL No. MH12929	

TÜV Rheinland Group

09.01.2015

(Date)



(Signature)

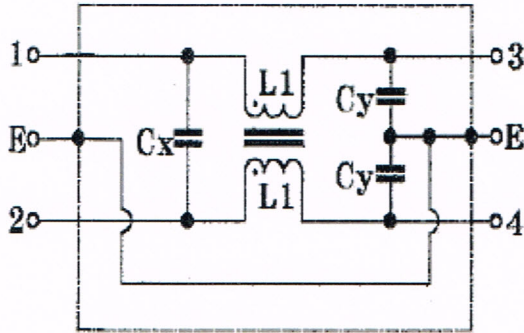
(Date)

(Stamp and Signature of Applicant)

Constructional Data Form - Filter

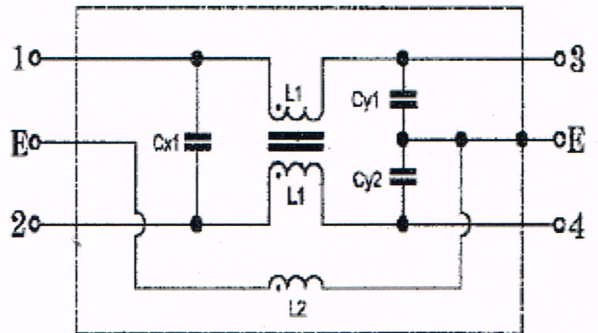
2.15 Circuit diagram

ID/IF/IG/IH/IK/IL/IM-****_*



1 and 2: input

IX-****_*



3 and 4: output .

ZEICHENGENEHMIGUNG MARKS APPROVAL

Dong Il Technology Ltd.
215-6 Bukyang-Dong
445-040 Hwasung-Si, Gyunggi-Do
SOUTH KOREA

ist berechtigt, für ihr Produkt /
is authorized to use for their product

Passiver Filter zur Unterdrückung elektromagnetischer Störungen
Passive filter unit for electromagnetic interference suppression

die hier abgebildeten markenrechtlich geschützten Zeichen
für die ab Blatt 2 aufgeführten Typen zu benutzen /
the legally protected Marks as shown below for the types referred to on page 2 ff.



Geprüft und zertifiziert nach /
Tested and certified according to

DIN EN 60939-2 (VDE 0565 Teil 3-1):2006-05; EN 60939-2:2005
IEC 60939-2(ed.2)

VDE Prüf- und Zertifizierungsinstitut
VDE Testing and Certification Institute
Zertifizierungsstelle / Certification

Dr. Schipper

VDE Zertifikate sind nur gültig bei Veröffentlichung unter:
VDE certificates are valid only when published on:

Aktenzeichen: 1379900-4730-0004 / 111348

File ref.:

Ausweis-Nr. 40009810

Blatt 1

Certificate No.

Page

Weitere Bedingungen siehe Rückseite und Folgeblätter /
further conditions see overleaf and following pages

Offenbach, 2004-03-25

(letzte Änderung/updated 2008-12-16)

<http://www.vde.com/zertifikat>

<http://www.vde.com/certificate>

VDE Prüf- und Zertifizierungsinstitut Zeichengenehmigung

Ausweis-Nr. / Blatt /
Certificate No. page
40009810 2

Name und Sitz des Genehmigungs-Inhabers / Name and registered seat of the Certificate holder

Dong Il Technology Ltd., 215-6 Bukyang-Dong, 445-040 HWASUNG-SI, GYUNGGI-DO, SÜDKOREA

Aktenzeichen / File ref.

1379900-4730-0004 / 111348 / FG32 / BT

letzte Änderung / updated Datum / Date

2008-12-16

2004-03-25

Dieses Blatt gilt nur in Verbindung mit Blatt 1 des Zeichengenehmigungsausweises Nr. 40009810.
This supplement is only valid in conjunction with page 1 of the Certificate No. 40009810.

Passiver Filter zur Unterdrückung elektromagnetischer Störungen *Passive filter unit for electromagnetic interference suppression*

Typ(en) / Type(s):

IU...
IJ...
IJ1...
IF...

Anmerkung

Die mit "... " gekennzeichneten Stellen sind freigehalten zum Einfügen der Angabe der Ausführungsform der Kondensatoren gemäß Hersteller-Typenschlüssel, welcher in der Anlage zu dieser Zeichengenehmigung erläutert ist.

Remark

Positions marked as "... " are kept free for insertion of the capacitor style information according to the manufacturer's type code which is explained in the enclosure to this Marks Approval.

Bemessungskapazität
Rated capacitance

0,022 μ F bis/to 0,33 μ FX2+ 2x330pF bis/to 3300pFY2

Bemessungsspannung
Rated voltage

AC 250 V

Bemessungsstrom
Rated current

1 bis / to 10 A / 40 °C

Bemessungsinduktivität
Rated inductance

0,26mH bis/to 15,0mH

der Schutzleiterdrosseln: 10,2 μ H; 18,3 μ H und 100 μ H
for earth inductors: 10,2 μ H; 18,3 μ H and 100 μ H

Kapazitätsklasse und
-unterklasse
Capacity Class and subclass

X2 Y2

Kapazitätstoleranz
Tolerance of rated capacitance

\pm 20% (M)

Fortsetzung siehe Blatt 3 /
continued on page 3

VDE Testing and Certification Institute * Institut VDE d'Essais et de Certification

VDE Prüf- und Zertifizierungsinstitut Zeichengenehmigung

Ausweis-Nr. / Blatt /
Certificate No. page
40009810 3

Name und Sitz des Genehmigungs-Inhabers / *Name and registered seat of the Certificate holder*

Dong Il Technology Ltd., 215-6 Bukyang-Dong, 445-040 HWASUNG-SI, GYUNGGI-DO, SÜDKOREA

Aktenzeichen / *File ref.*

1379900-4730-0004 / 111348 / FG32 / BT

letzte Änderung / *updated* Datum / *Date*

2008-12-16 2004-03-25

Dieses Blatt gilt nur in Verbindung mit Blatt 1 des Zeichengenehmigungsausweises Nr. 40009810.
This supplement is only valid in conjunction with page 1 of the Certificate No. 40009810.

Klimakategorie
Climatic category

25/085/21
25/100/21 for type IU-L10/N10 and IF1; IF7; IF8; IF9

Weitere Einzelheit(en)
Further detail(s)

Anlage Nr. 1 bis 10 und Zusammenfassung
Enclosure No. 1 to 10 and summary

VDE Prüf- und Zertifizierungsinstitut
VDE Testing and Certification Institute
Fachgebiet FG32
Section FG32

VDE Prüf- und Zertifizierungsinstitut Zeichengenehmigung

Ausweis-Nr. / Beiblatt /
Certificate No. Supplement
40009810

Name und Sitz des Genehmigungs-Inhabers / *Name and registered seat of the Certificate holder*

Dong Il Technology Ltd., 215-6 Bukyang-Dong, 445-040 HWASUNG-SI, GYUNGGI-DO, SÜDKOREA

Aktenzeichen / *File ref.*

1379900-4730-0004 / 111348 / FG32 / BT

letzte Änderung / *updated* Datum / *Date*

2008-12-16 2004-03-25

Dieses Beiblatt ist Bestandteil des Zeichengenehmigungsausweises Nr. 40009810.

This supplement is part of the Certificate No. 40009810.

Passiver Filter zur Unterdrückung elektromagnetischer Störungen *Passive filter unit for electromagnetic interference suppression*

Fertigungsstätte(n)

Place(s) of manufacture

Referenz/*Reference*

30000609

Dong Il Technology Ltd.

215-6 Bukyang-Dong

445-040 HWASUNG-SI, GYUNGGI-DO

SÜDKOREA

VDE Prüf- und Zertifizierungsinstitut

VDE Testing and Certification Institute

Fachgebiet FG32

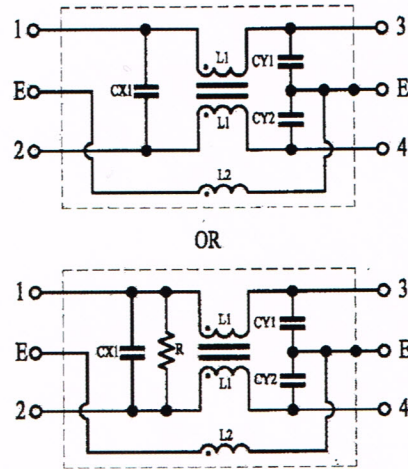
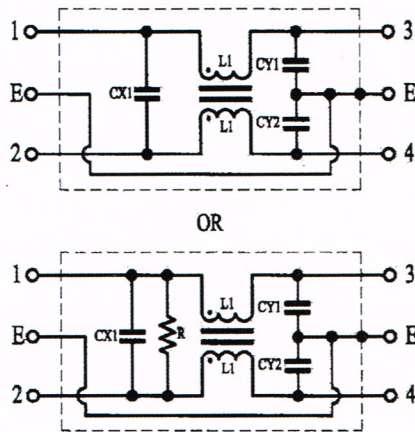
Section FG32

Annex

Fig1. Circuit Diagram

※. ID/IH/IG/IF/IK/IM/IL Type

※. IX Type



1. Type designation

IU-WXY(-)Z

U stands for : Shape of case for installation and installation method

D : Horizontal and Screw mounting type

H : Horizontal and Snap-in type

G : Vertical and Screw mounting type

X : Vertical and Screw mounting type with ground inductor

F : Small Horizontal and Screw mounting type

K : Small Horizontal and Snap-in type

M : Vertical and PC-Board mounting type

L : Vertical and Screw mounting

W stands for : Rated current

01(N01): 1A, 02(N02): 2A, 03(N03, L03): 3A, 06(N06): 6A,

N08: 8A, 10(N10, L10): 10A

※. IU-(N)10XY(-)Z is only applied to ID/IH-type,

IU-L10XY(-)Z is only applied to IG-type

for #250 fasten tab, soldering tab)

X stands for : Rated capacitance of X2-capacitor

2: 0.022 μ F, 3: 0.033 μ F, 4: 0.047 μ F, A: 0.1 μ F, B: 0.15 μ F

Y stands for : Rated capacitance of Y2-capacitor

2: 2200pF, 3: 3300pF, C: 330pF, D: 470pF, E: 1000pF, 0: none

(-) stands for : There exist "-" or none

Z stands for : Kind of terminal

H: #250 fasten tab, P: PCB pin,

S: Soldering tab, W: PVC insulated wire, M: Quick crimp terminal



21. Nov. 2007

2. Specification

2.1 Rated Voltage(UR)	250Vac
2.2 Category Voltage(UC)	250Vac
2.3 Rated Frequency	50/60Hz
2.4 Operating Temperature Range	-25°C up to +85°C
2.5 Rated Temperature	I*-01/N01/02/N02/03: 55°C, I*-L03/N03/06/N06/10: 40°C, I*-N08/N10/L10: 35°C
2.6 Rated Capacitance(CR) Tolerance	0.022 μ F, 0.033 μ F, 0.047 μ F, 0.1 μ F, 0.15 μ F \pm 20% 330pF, 470pF, 1000pF, 2200pF, 3300pF \pm 20%
2.7 Weight	IM/IL:35g, ID/IH/IG: 45g, IF/IK/IX: 50g
2.8 Mounting	ID/IF/IG/IL/IX:Screw mounting, IH/IK:Snap-in, IM:PCB soldering
2.9 Terminal Type	H:#250 Tab, P:PCB Pin, S:Soldering Tab, W:PVC insulated wire, M:Quick crimp terminal

2.10 Rated Current(IR0) and Rated Inductance(LR)

Model	Rated Current	Rated Inductance
IU-01**(-)*	1A	2 \times 6.0mH
IU-02**(-)*	2A	2 \times 2.4mH
IU-03**(-)*	3A	2 \times 1.2mH
IU-06**(-)*	6A	2 \times 0.53mH
IU-10**(-)*	10A	2 \times 0.26mH
IU-L03**(-)*	3A	2 \times 2.4mH
IU-N01**(-)*	1A	2 \times 14.0mH
IU-N02**(-)*	2A	2 \times 5.7mH
IU-N03**(-)*	3A	2 \times 5.7mH
IU-N06**(-)*	6A	2 \times 1.3mH
IU-N08**(-)*	8A	2 \times 0.78mH
IU-N10**(-)*	10A	2 \times 0.61mH
IU-L10**(-)*	10A	2 \times 0.49mH

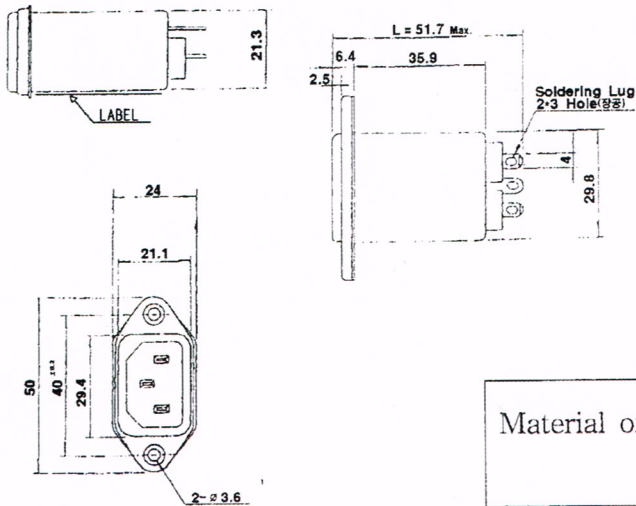
2.11 Type of case: Metal case for ID/IH/IF/IK/IG/IX Type,
Plastic case for IL/IM Type

3. Maximum limiting value of D.C. line resistance (m Ω)

Model	IU-01**(-)*	IU-02**(-)*	IU-03**(-)*	IU-L03**(-)*	IU-06**(-)*	IU-10**(-)*
D.C line resistance Max. (Each line)	365	160	75	130	45	20
Model	IU-N01**(-)*	IU-N02**(-)*	IU-N03**(-)*	IU-N06**(-)*	IU-N08**(-)*	IU-N(L)10**(-)*
D.C line resistance Max. (Each line)	365	160	130	45	35	20

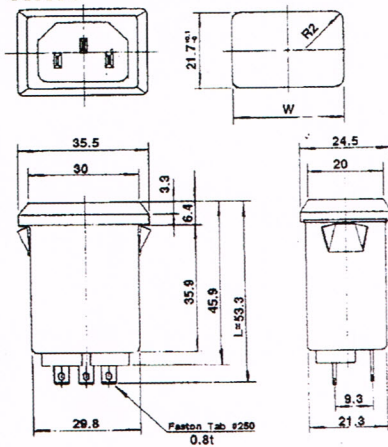
4. Filter Dimension

(1) ID-series



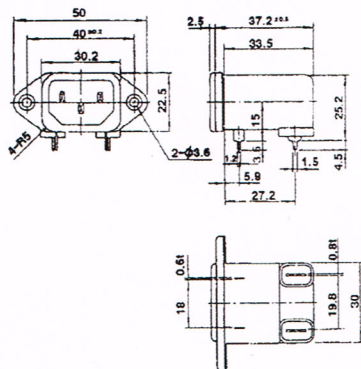
Material of Case: Steel sheet 0.6t
Cu&Ni or Cu&Tin plated

(2) IH-series



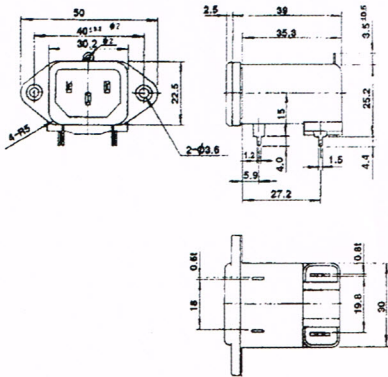
Material of Case: Steel sheet 0.6t
Cu&Ni or Cu&Tin plated

(3) IG-series



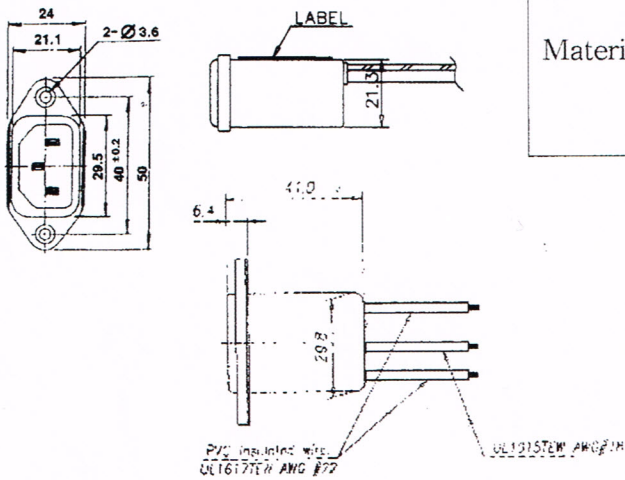
Material of Case: Steel sheet 0.6t
Cu&Ni or Cu&Tin plated

(4) IX-series



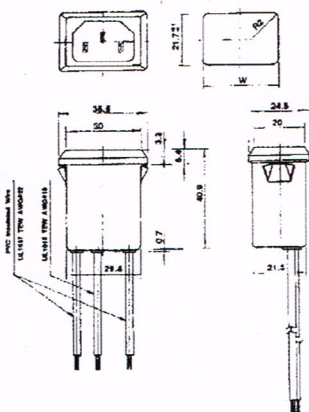
Material of Case: Steel sheet 0.6t
Cu&Ni or Cu&Tin plated

(5) IF-series



Material of Case: Steel sheet 0.6t
Cu&Ni or Cu&Tin plated

(6) IK-series



Material of Case: Steel sheet 0.6t
Cu&Ni or Cu&Tin plated



ZEICHENGENEHMIGUNG MARKS APPROVAL

Dong Il Technology Ltd.
215-6 Bukyang-Dong
445-040 Hwasung-Si, Gyunggi-Do
SOUTH KOREA

ist berechtigt, für ihr Produkt /
is authorized to use for their product

Passiver Filter zur Unterdrückung elektromagnetischer Störungen
Passive filter unit for electromagnetic interference suppression

die hier abgebildeten markenrechtlich geschützten Zeichen
für die ab Blatt 2 aufgeführten Typen zu benutzen /
the legally protected Marks as shown below for the types referred to on page 2 ff.



Geprüft und zertifiziert nach /
Tested and certified according to

DIN EN 60939-2 (VDE 0565 Teil 3-1):2006-05; EN 60939-2:2005
IEC 60939-2(ed.2)

VDE Prüf- und Zertifizierungsinstitut
VDE Testing and Certification Institute
Zertifizierungsstelle / Certification

Dr. Schipper

VDE Zertifikate sind nur gültig bei Veröffentlichung unter:
VDE certificates are valid only when published on:

Aktenzeichen: 1379900-4730-0004 / 111348

File ref.:

Ausweis-Nr. 40009810

Blatt 1

Certificate No.

Page

Weitere Bedingungen siehe Rückseite und Folgeblätter /
further conditions see overleaf and following pages

Offenbach, 2004-03-25

(letzte Änderung/updated 2008-12-16)

<http://www.vde.com/zertifikat>

<http://www.vde.com/certificate>

VDE Prüf- und Zertifizierungsinstitut Zeichengenehmigung

Ausweis-Nr. / Blatt /
Certificate No. page
40009810 2

Name und Sitz des Genehmigungs-Inhabers / Name and registered seat of the Certificate holder

Dong Il Technology Ltd., 215-6 Bukyang-Dong, 445-040 HWASUNG-SI, GYUNGGI-DO, SÜDKOREA

Aktenzeichen / File ref.

1379900-4730-0004 / 111348 / FG32 / BT

letzte Änderung / updated Datum / Date

2008-12-16

2004-03-25

Dieses Blatt gilt nur in Verbindung mit Blatt 1 des Zeichengenehmigungsausweises Nr. 40009810.
This supplement is only valid in conjunction with page 1 of the Certificate No. 40009810.

Passiver Filter zur Unterdrückung elektromagnetischer Störungen *Passive filter unit for electromagnetic interference suppression*

Typ(en) / Type(s):

IU...
IJ...
IJ1...
IF...

Anmerkung

Die mit "... " gekennzeichneten Stellen sind freigehalten zum Einfügen der Angabe der Ausführungsform der Kondensatoren gemäß Hersteller-Typenschlüssel, welcher in der Anlage zu dieser Zeichengenehmigung erläutert ist.

Remark

Positions marked as "... " are kept free for insertion of the capacitor style information according to the manufacturer's type code which is explained in the enclosure to this Marks Approval.

Bemessungskapazität
Rated capacitance

0,022 μ F bis/to 0,33 μ FX2+ 2x330pF bis/to 3300pFY2

Bemessungsspannung
Rated voltage

AC 250 V

Bemessungsstrom
Rated current

1 bis / to 10 A / 40 °C

Bemessungsinduktivität
Rated inductance

0,26mH bis/to 15,0mH

der Schutzleiterdrosseln: 10,2 μ H; 18,3 μ H und 100 μ H
for earth inductors: 10,2 μ H; 18,3 μ H and 100 μ H

Kapazitätsklasse und
-unterklasse
Capacity Class and subclass

X2 Y2

Kapazitätstoleranz
Tolerance of rated capacitance

\pm 20% (M)

Fortsetzung siehe Blatt 3 /
continued on page 3

VDE Testing and Certification Institute * Institut VDE d'Essais et de Certification

VDE Prüf- und Zertifizierungsinstitut Zeichengenehmigung

Ausweis-Nr. / Blatt /
Certificate No. page
40009810 3

Name und Sitz des Genehmigungs-Inhabers / *Name and registered seat of the Certificate holder*

Dong Il Technology Ltd., 215-6 Bukyang-Dong, 445-040 HWASUNG-SI, GYUNGGI-DO, SÜDKOREA

Aktenzeichen / *File ref.*

1379900-4730-0004 / 111348 / FG32 / BT

letzte Änderung / *updated* Datum / *Date*

2008-12-16 2004-03-25

Dieses Blatt gilt nur in Verbindung mit Blatt 1 des Zeichengenehmigungsausweises Nr. 40009810.
This supplement is only valid in conjunction with page 1 of the Certificate No. 40009810.

Klimakategorie
Climatic category

25/085/21
25/100/21 for type IU-L10/N10 and IF1; IF7; IF8; IF9

Weitere Einzelheit(en)
Further detail(s)

Anlage Nr. 1 bis 10 und Zusammenfassung
Enclosure No. 1 to 10 and summary

VDE Prüf- und Zertifizierungsinstitut
VDE Testing and Certification Institute
Fachgebiet FG32
Section FG32

VDE Prüf- und Zertifizierungsinstitut Zeichengenehmigung

Ausweis-Nr. / Beiblatt /
Certificate No. Supplement
40009810

Name und Sitz des Genehmigungs-Inhabers / *Name and registered seat of the Certificate holder*

Dong Il Technology Ltd., 215-6 Bukyang-Dong, 445-040 HWASUNG-SI, GYUNGGI-DO, SÜDKOREA

Aktenzeichen / *File ref.*

1379900-4730-0004 / 111348 / FG32 / BT

letzte Änderung / *updated* Datum / *Date*

2008-12-16 2004-03-25

Dieses Beiblatt ist Bestandteil des Zeichengenehmigungsausweises Nr. 40009810.

This supplement is part of the Certificate No. 40009810.

Passiver Filter zur Unterdrückung elektromagnetischer Störungen *Passive filter unit for electromagnetic interference suppression*

Fertigungsstätte(n)

Place(s) of manufacture

Referenz/*Reference*

30000609

Dong Il Technology Ltd.

215-6 Bukyang-Dong

445-040 HWASUNG-SI, GYUNGGI-DO

SÜDKOREA

VDE Prüf- und Zertifizierungsinstitut

VDE Testing and Certification Institute

Fachgebiet FG32

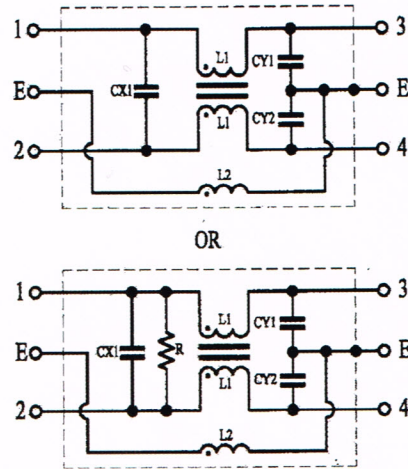
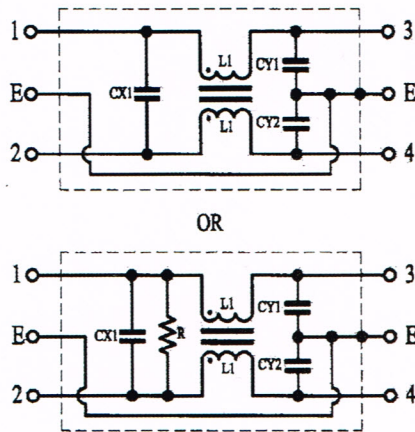
Section FG32

Annex

Fig1. Circuit Diagram

※. ID/IH/IG/IF/IK/IM/IL Type

※. IX Type



1. Type designation

IU-WXY(-)Z

- U stands for : Shape of case for installation and installation method
 D : Horizontal and Screw mounting type
 H : Horizontal and Snap-in type
 G : Vertical and Screw mounting type
 X : Vertical and Screw mounting type with ground inductor
 F : Small Horizontal and Screw mounting type
 K : Small Horizontal and Snap-in type
 M : Vertical and PC-Board mounting type
 L : Vertical and Screw mounting

W stands for : Rated current

01(N01): 1A, 02(N02): 2A, 03(N03, L03): 3A, 06(N06): 6A,
 N08: 8A, 10(N10, L10): 10A

※. IU-(N)10XY(-)Z is only applied to ID/IH-type,
 IU-L10XY(-)Z is only applied to IG-type
 for #250 fasten tab, soldering tab)

X stands for : Rated capacitance of X2-capacitor

2: 0.022 μ F, 3: 0.033 μ F, 4: 0.047 μ F, A: 0.1 μ F, B: 0.15 μ F

Y stands for : Rated capacitance of Y2-capacitor

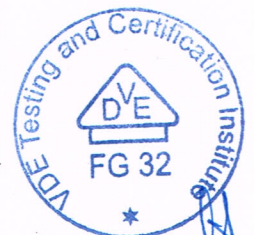
2: 2200pF, 3: 3300pF, C: 330pF, D: 470pF, E: 1000pF, 0: none

(-) stands for : There exist "-" or none

Z stands for : Kind of terminal

H: #250 fasten tab, P: PCB pin,

S: Soldering tab, W: PVC insulated wire, M: Quick crimp terminal



21. Nov. 2007

2. Specification

2.1 Rated Voltage(UR)	250Vac
2.2 Category Voltage(UC)	250Vac
2.3 Rated Frequency	50/60Hz
2.4 Operating Temperature Range	-25°C up to +85°C
2.5 Rated Temperature	I*-01/N01/02/N02/03: 55°C, I*-L03/N03/06/N06/10: 40°C, I*-N08/N10/L10: 35°C
2.6 Rated Capacitance(CR) Tolerance	0.022 μ F, 0.033 μ F, 0.047 μ F, 0.1 μ F, 0.15 μ F \pm 20% 330pF, 470pF, 1000pF, 2200pF, 3300pF \pm 20%
2.7 Weight	IM/IL:35g, ID/IH/IG: 45g, IF/IK/IX: 50g
2.8 Mounting	ID/IF/IG/IL/IX:Screw mounting, IH/IK:Snap-in, IM:PCB soldering
2.9 Terminal Type	H:#250 Tab, P:PCB Pin, S:Soldering Tab, W:PVC insulated wire, M:Quick crimp terminal

2.10 Rated Current(IR0) and Rated Inductance(LR)

Model	Rated Current	Rated Inductance
IU-01**(-)*	1A	2 \times 6.0mH
IU-02**(-)*	2A	2 \times 2.4mH
IU-03**(-)*	3A	2 \times 1.2mH
IU-06**(-)*	6A	2 \times 0.53mH
IU-10**(-)*	10A	2 \times 0.26mH
IU-L03**(-)*	3A	2 \times 2.4mH
IU-N01**(-)*	1A	2 \times 14.0mH
IU-N02**(-)*	2A	2 \times 5.7mH
IU-N03**(-)*	3A	2 \times 5.7mH
IU-N06**(-)*	6A	2 \times 1.3mH
IU-N08**(-)*	8A	2 \times 0.78mH
IU-N10**(-)*	10A	2 \times 0.61mH
IU-L10**(-)*	10A	2 \times 0.49mH

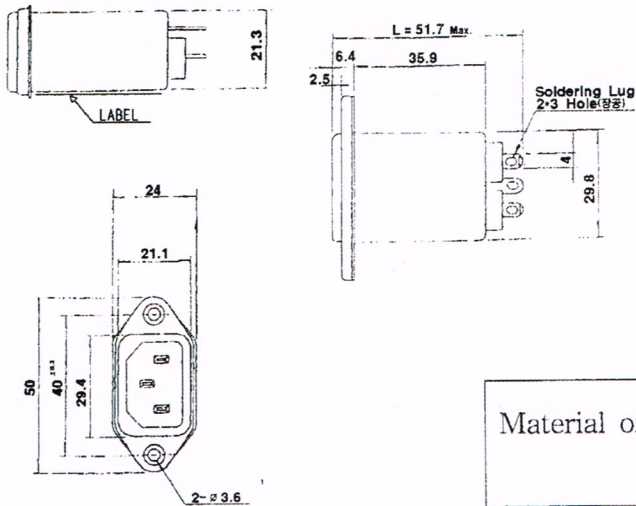
2.11 Type of case: Metal case for ID/IH/IF/IK/IG/IX Type,
Plastic case for IL/IM Type

3. Maximum limiting value of D.C. line resistance (m Ω)

Model	IU-01**(-)*	IU-02**(-)*	IU-03**(-)*	IU-L03**(-)*	IU-06**(-)*	IU-10**(-)*
D.C line resistance Max. (Each line)	365	160	75	130	45	20
Model	IU-N01**(-)*	IU-N02**(-)*	IU-N03**(-)*	IU-N06**(-)*	IU-N08**(-)*	IU-N(L)10**(-)*
D.C line resistance Max. (Each line)	365	160	130	45	35	20

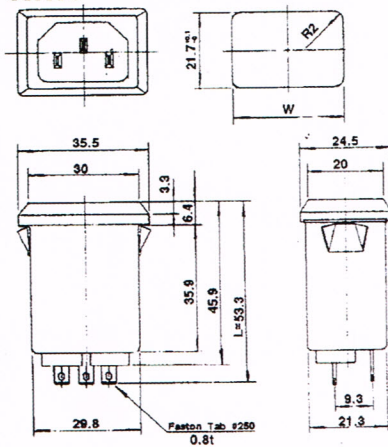
4. Filter Dimension

(1) ID-series



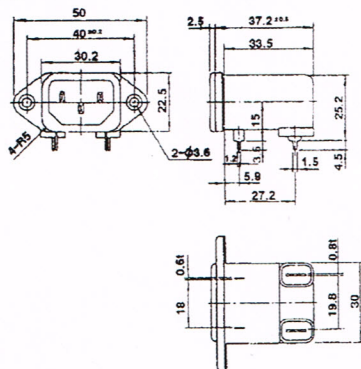
Material of Case: Steel sheet 0.6t
Cu&Ni or Cu&Tin plated

(2) IH-series



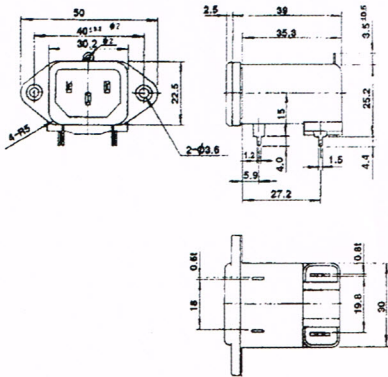
Material of Case: Steel sheet 0.6t
Cu&Ni or Cu&Tin plated

(3) IG-series



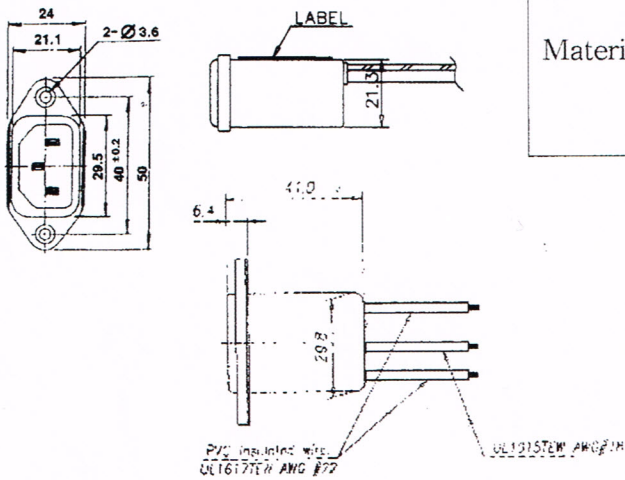
Material of Case: Steel sheet 0.6t
Cu&Ni or Cu&Tin plated

(4) IX-series



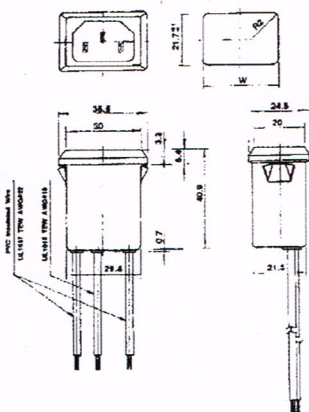
Material of Case: Steel sheet 0.6t
Cu&Ni or Cu&Tin plated

(5) IF-series



Material of Case: Steel sheet 0.6t
Cu&Ni or Cu&Tin plated

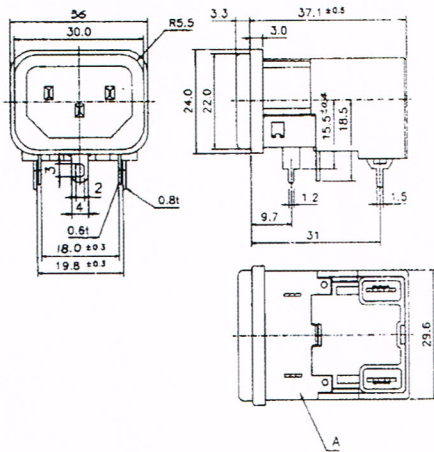
(6) IK-series



Material of Case: Steel sheet 0.6t
Cu&Ni or Cu&Tin plated

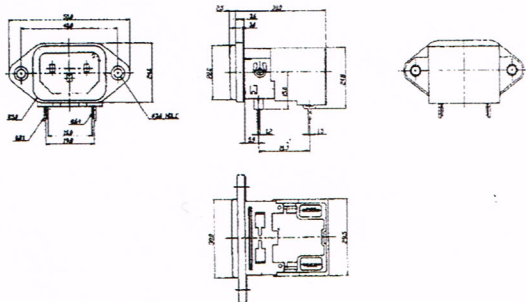


(7) IM-series



Plastic Case

(8) IL-series



Pastic Case

5. Marking

BIT NOISE FILTER
ID-N10AE-H

SH-3003-5001 EMI 32200 LR85729

2x1000pF(Y)
0.1μF(X2)MKT
2x0.61mH
25/85/21 HPF

250V~ 10A/40°C
50/60Hz

MADE IN KOREA
LOT.

OR

BIT NOISE FILTER
ID-N10AEH

SH-3003-5001 EMI 32200 LR85729

2x1000pF(Y)
0.1μF(X2)MKT
2x0.61mH
25/85/21 HPF

250V~ 10A/40°C
50/60Hz

MADE IN KOREA
LOT.

