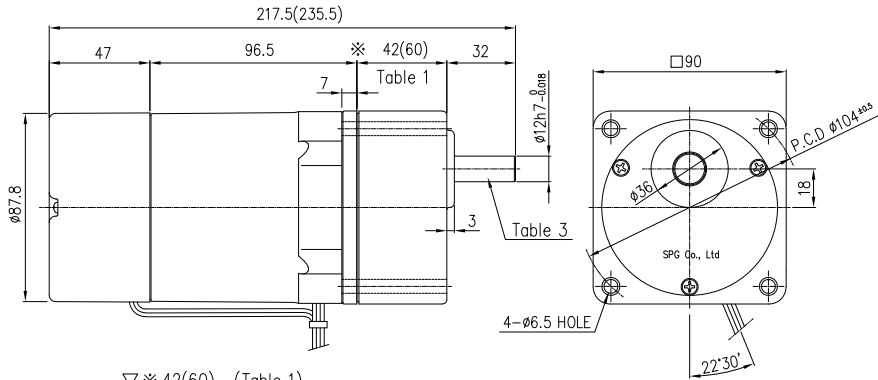


▽ GEARED MOTOR

- * MOTOR MODEL : S9R40G□□-E
- * HEAD MODEL : S9□B3□□ ~ S9□B200□□



▽ ※ 42(60) -(Table 1)

GEAR RATIO	SIZE(mm)
S9□B3□□-S9□B18□□	42
S9□B20□□-S9□B200□□	60

▽ GEAR HEAD Shaft type-(Table 3)

MODEL	Shaft
STRAIGHT TYPE	
S9SB3□□ ~S9SB200□□	
D-CUT TYPE	
S9DB3□□ ~S9DB200□□	
KEY TYPE	
S9KB3□□□ ~S9KB200□□□	

▽ MOTOR Shaft type-(Table 4)

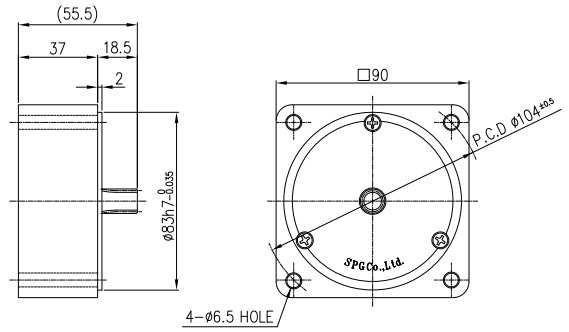
MODEL	Shaft
GEAR TYPE	
S9R40G□□E	
STRAIGHT TYPE	
S9R40S□□E	
D-CUT TYPE	
S9R40D□□E	
KEY TYPE	
S9R40K□□-E	

▽ KEY SPEC

GEAR HEAD ⌀	MOTOR ⌀

▽ INTER-DECIMAL GEAR HEAD

- * MODEL : S9GX10B(H,L)



▽ WEIGHT -(Table 2)

PART	WEIGHT(Kg)	
MOTOR	2.74	
DECIMAL GEAR HEAD	0.59	
GEAR HEAD	S9□B3□□ ~S9□B18□□	0.73
	S9□B20□□ ~S9□B40□□	1.03
	S9□B50□□ ~S9□B200□□	1.13

▽ MOTOR

- * MOTOR MODEL : S9R40□□□-E

