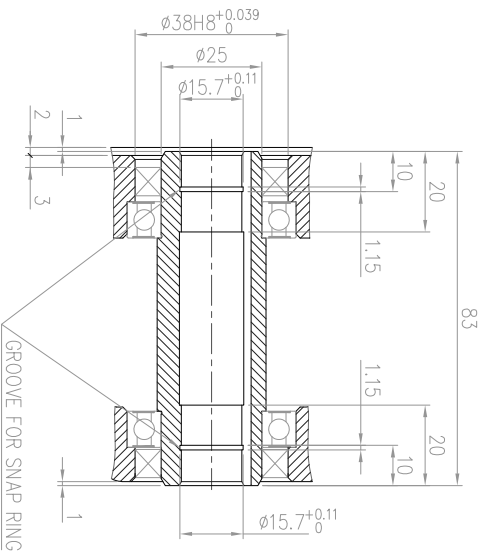
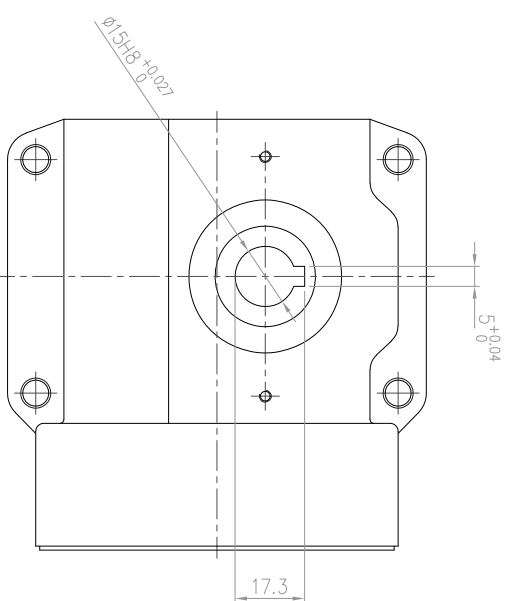
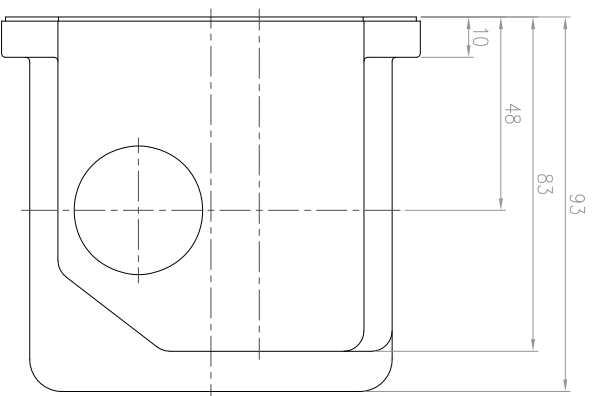
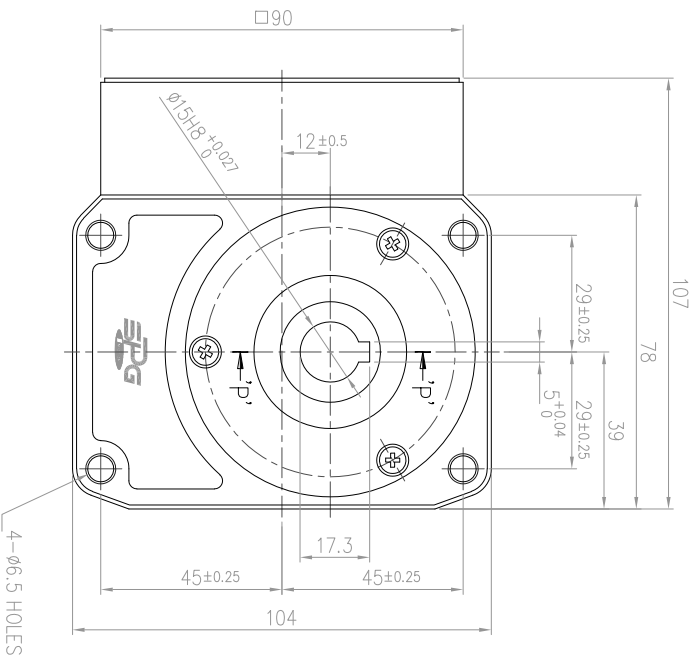


SC9HB□ (WEIGHT : 2.0 kg)



SECTION 'P'-P'
(DETAIL OF OUTPUT SHAFT)

KEY SPEC

